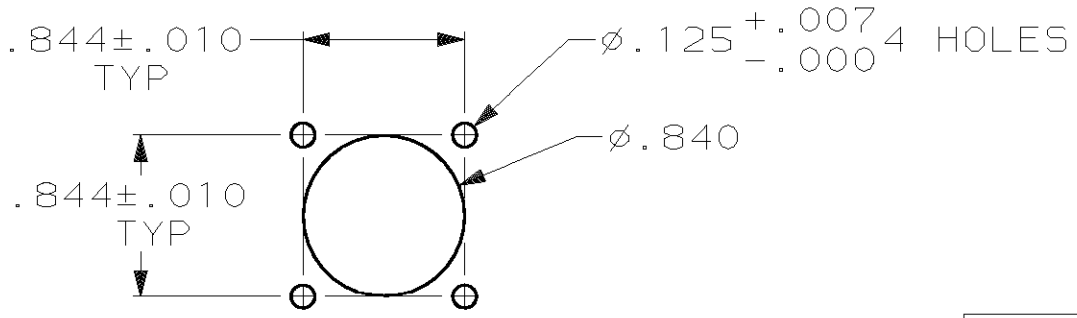
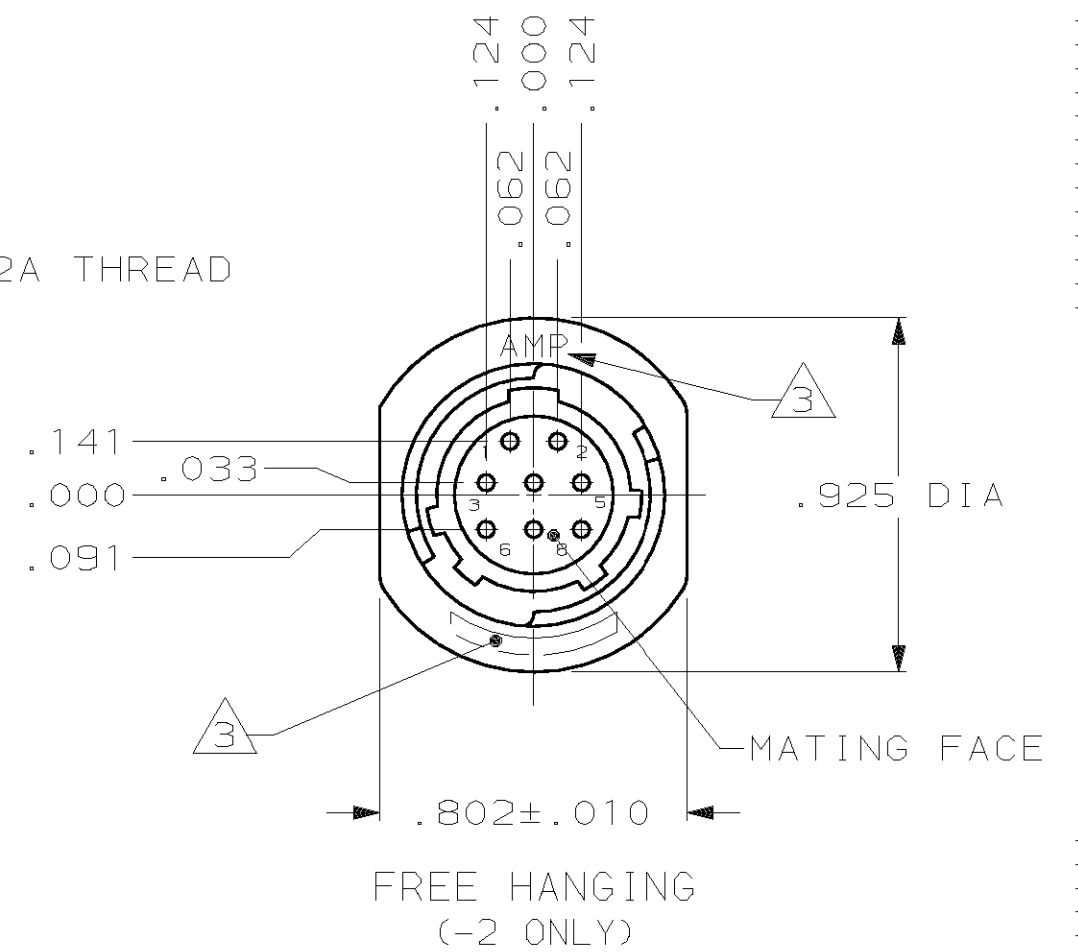
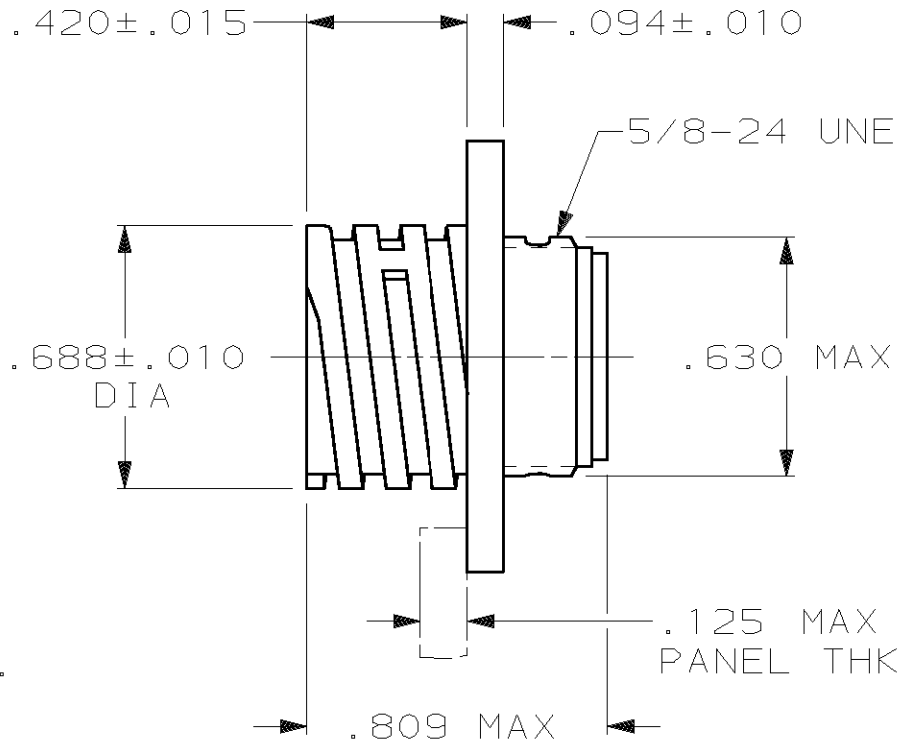
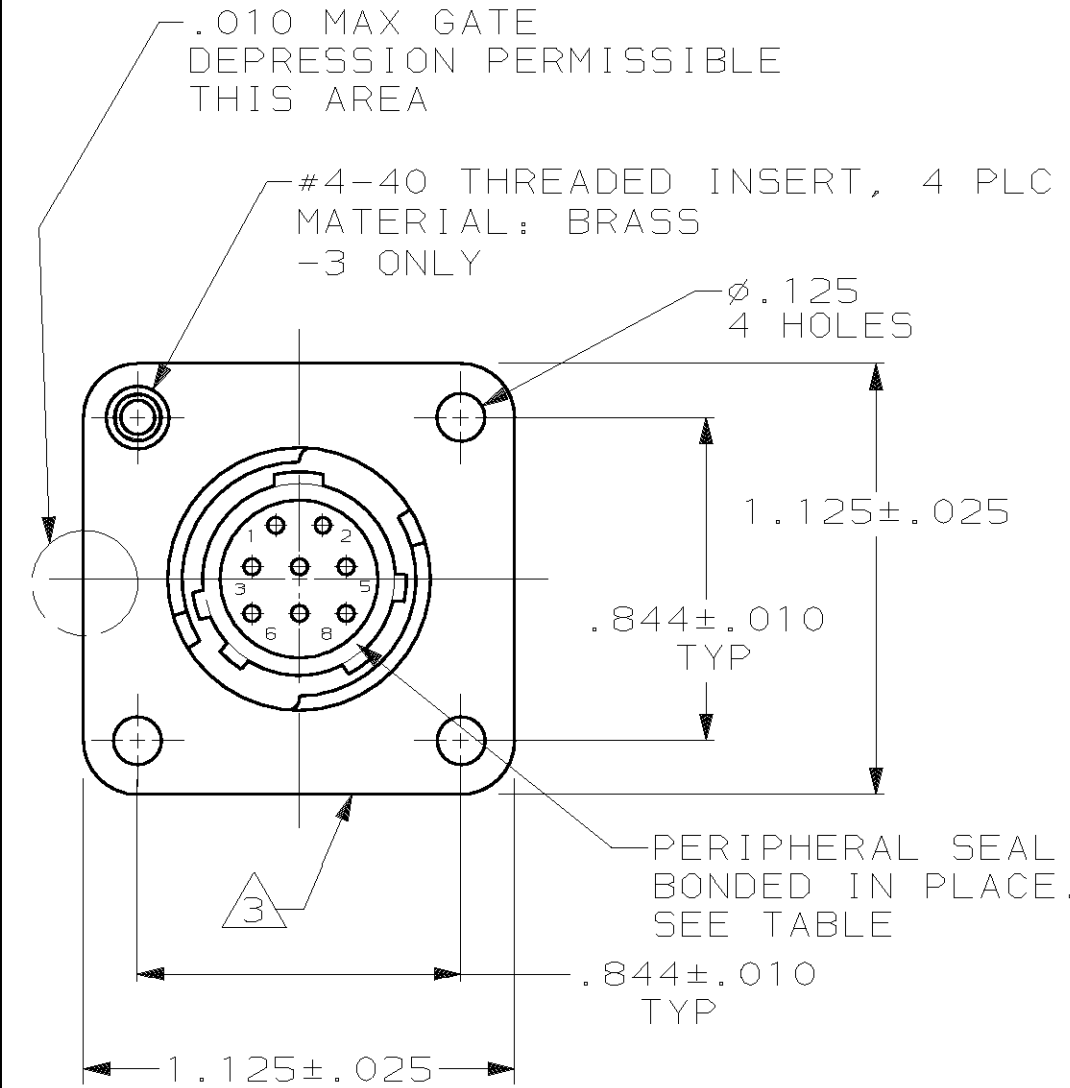


THIS DRAWING IS UNPUBLISHED. RELEASED FOR PUBLICATION ,19 .
 © COPYRIGHT 19 BY AMP INCORPORATED. ALL INTERNATIONAL RIGHTS RESERVED.

LOC FT	DIST 0	P P	F F	REVISIONS			DATE	APPD
				ZONE	LTR	DESCRIPTION		
					M	REVISE PER ECN 0G3B-0662-00	25JAN01	SU/MC



PANEL CUTOUT
SCALE 1:1

- CONTACT CAVITIES IDENTIFIED BY CHARACTERS ON FRONT AND REAR FACES OF CONNECTOR.
 - WILL ACCEPT (8) SIZE 20 PIN CONTACTS.
- △ AMP AND PART NUMBER THIS AREA.

PRELIMINARY	YES	YES	205841-4
	YES	NO	205841-3
	NO	NO	205841-2
	NO	NO	205841-1
	THREADED INSERTS	PERIPHERAL SEAL	PART NUMBER

DO NOT SCALE PRINT. UNLESS SPECIFIED DIMENSIONS IN INCHES TOLERANCES ON: 2 PLC DEC ± - 3 PLC DEC ± .005 ANGLES ± -	DR 4/5/91 A.STAUB B6	AMP AMP Incorporated Harrisburg, PA 17105-3608
	CHK 7-24-92 W.G.LENKER	
MATERIAL THERMOPLASTIC, BLACK	APPD 7-24-92 K.BEAVER	NAME RECEPTACLE ASSEMBLY, STD SEX, SERIES 2, 11-8, CPC
FINISH -	APPD 7-24-92 C.ROHDE	SIZE B CAGE CODE 00779 DRAWING NO 205841
	PRODUCT SPEC 108-10024	SCALE 2:1 SHEET 1 OF 1
	APPLICATION SPEC -	
	WEIGHT -	